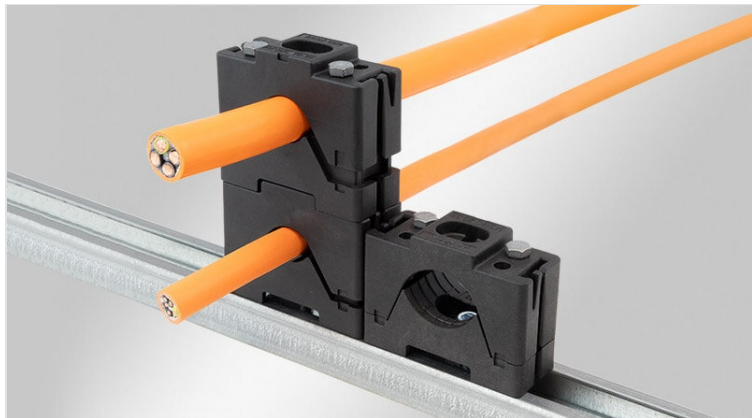


# MSMC | Modular stackable cable clamp / cable cleat

for cable diameters 10 - 55 mm



IEC  
61914\*

NFPA  
130  
STANDARD

HL3  
EN 45545-2

EN 61373

UV  
ISO 4892-2A

ECOLAB  
certified

IK07

RoHS  
compliant

REACH  
COMPLIANCE

Made in  
Germany

The modular stackable cable clamp MSMC is used for easy, quick and secure fastening of cables, pipes and other cylindrical components. The variable clamping range is up to 16 mm.

The great advantage of this cable cleat is that it can be easily extended by stacking or baying. By using the CMC30 coupler, different clamping areas can be connected to each other. The MSMC offers a very high level of corrosion protection thanks to the choice of materials for the cable clamps and screws.

The cable cleat consists of an upper and a lower part as well as hexagon head screws. A coupler is used to easily connect several cable clamps together horizontally. The longitudinal and transverse ridges of the support surface serve to absorb torsional and tensile forces. The central mounting point (slotted hole) offers a high degree of flexibility on many surfaces. For even greater stability and torsion resistance, two long screws can be used for fastening.

**The cable cleats are available as Set A for lining up and stacking or as Set B for baying. Set B contains a cable clamp (upper and lower part), a coupler and two short hexagon head screws. Set A additionally contains two long hexagon head screws.**

The cable clamp can be combined with a sliding nut for optional assembly on the 35 mm / 40 mm C-rail.

\* IEC 61914: Testing for short-circuit strength in preparation

## Specifications

<b>Material</b>	Body: Polyamide Screw type mounting: Steel, zinc/nickel passivated (ISO 4017)
<b>Flame class</b>	UL94-V0, self-extinguishing
<b>Operating temperature</b>	-40 C° to 140 C°
<b>Properties</b>	vibration proof, silicone free, halogen free, UV-resistant
<b>Mounting options</b>	Screw type mounting

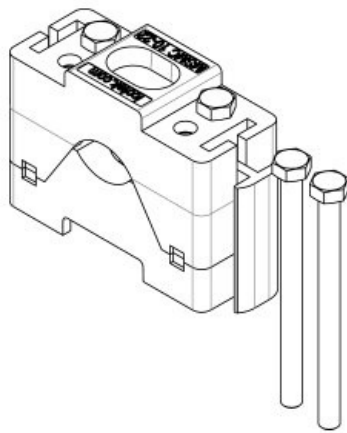
## Advantages & benefits

- Several cable clamps can be bayed or stacked together
- The diameter of the cables can vary up to 16 mm
- Designed for high strain relief
- Suitable for large cable diameters up to 55 mm
- Suitable for large bending radii of rigid cables
- Assembly on surfaces or on the C-rail
- Ridges in the half shells enable the absorption of tensile and torsional forces
- Anti-rotation lock during assembly with two through bolts
- The coupler can be used as a mounting aid for overhead mounting
- Weather-resistant material

## Product types & sizes

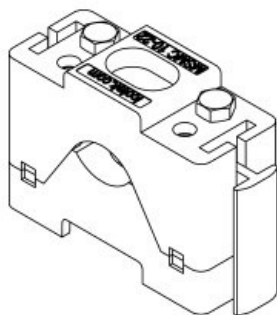
**MSMC 10-22 Set A**

Part No.	<b>32400</b>	Diam. of screw	<b>5,2 mm</b>
EAN	<b>4251269335</b>	holes	
	<b>860</b>	Clamping	<b>1 x 10 - 22</b>
Package	<b>5</b>	range	<b>mm</b>
quantity			
Length	<b>64 mm</b>		
Width	<b>26 mm</b>		
Height	<b>47 mm</b>		
No. of screw	<b>1</b>		
holes			

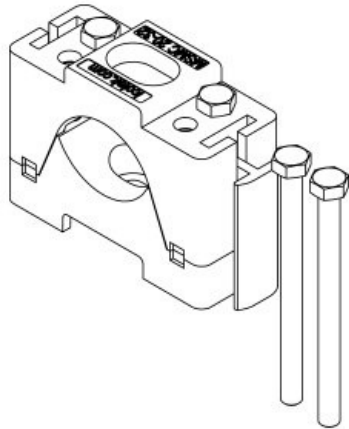


**MSMC 10-22 Set B**

Part No.	<b>32401</b>	Diam. of screw	<b>5,2 mm</b>
EAN	<b>4251269335</b>	holes	
	<b>877</b>	Clamping	<b>1 x 10 - 22</b>
Package	<b>5</b>	range	<b>mm</b>
quantity			
Length	<b>64 mm</b>		
Width	<b>26 mm</b>		
Height	<b>47 mm</b>		
No. of screw	<b>1</b>		
holes			

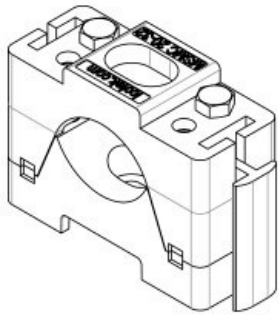


MSMC 20-32 Set A



Part No.	<b>32410</b>	Diam. of screw	<b>5,2 mm</b>
EAN	<b>4251269335</b>	holes	
	<b>884</b>	Clamping	<b>1 x 20 - 32</b>
Package	<b>5</b>	range	<b>mm</b>
quantity			
Length	<b>64 mm</b>		
Width	<b>26 mm</b>		
Height	<b>47 mm</b>		
No. of screw	<b>1</b>		
holes			

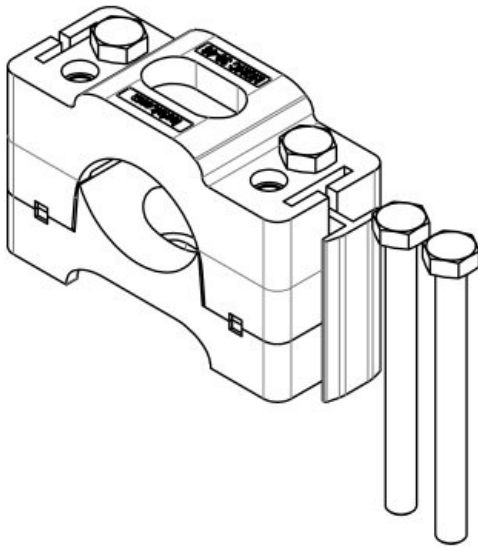
MSMC 20-32 Set B



Part No.	<b>32411</b>	Diam. of screw	<b>5,2 mm</b>
EAN	<b>4251269335</b>	holes	
	<b>891</b>	Clamping	<b>1 x 20 - 32</b>
Package	<b>5</b>	range	<b>mm</b>
quantity			
Length	<b>64 mm</b>		
Width	<b>26 mm</b>		
Height	<b>47 mm</b>		
No. of screw	<b>1</b>		
holes			

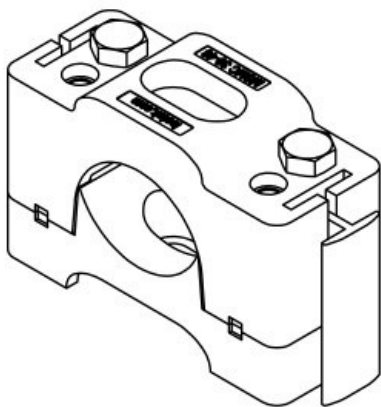
**MSMC 30-46 Set A**

Part No.	<b>32420</b>	Diam. of screw	<b>8,2 mm</b>
EAN	<b>4251269334</b>	holes	
	<b>665</b>	Clamping range	<b>1 x 30 - 46 mm</b>
Package quantity	<b>5</b>		
Length	<b>100 mm</b>		
Width	<b>40 mm</b>		
Height	<b>64,5 mm</b>		
No. of screw holes	<b>1</b>		

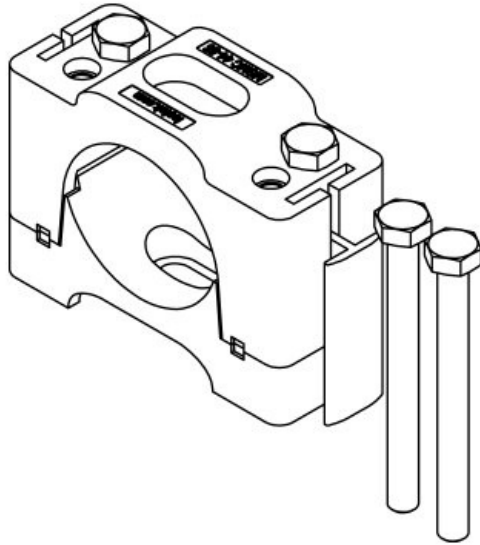


**MSMC 30-46 Set B**

Part No.	<b>32421</b>	Diam. of screw	<b>8,2 mm</b>
EAN	<b>4251269334</b>	holes	
	<b>672</b>	Clamping range	<b>1 x 30 - 46 mm</b>
Package quantity	<b>5</b>		
Length	<b>100 mm</b>		
Width	<b>40 mm</b>		
Height	<b>64,5 mm</b>		
No. of screw holes	<b>1</b>		

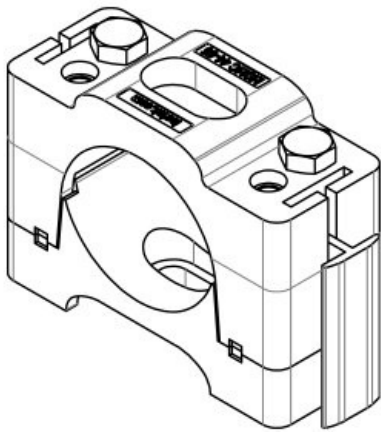


MSMC 44-55 Set A



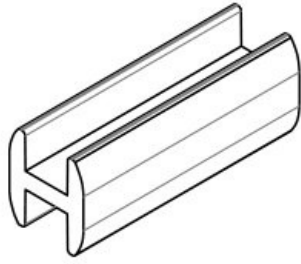
Part No.	<b>32430</b>	Diam. of screw	<b>8,2 mm</b>
EAN	<b>4251269334</b>	holes	
	<b>689</b>	Clamping	<b>1 x 44 - 55</b>
Package	<b>5</b>	range	<b>mm</b>
quantity			
Length	<b>100 mm</b>		
Width	<b>40 mm</b>		
Height	<b>72,5 mm</b>		
No. of screw	<b>1</b>		
holes			

MSMC 44-55 Set B



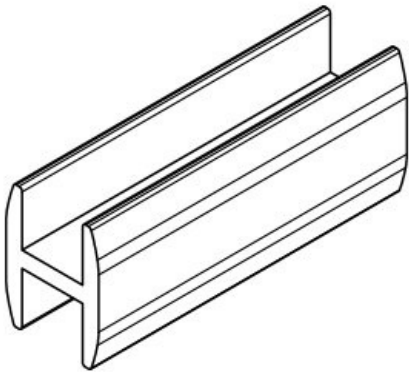
Part No.	<b>32431</b>	Diam. of screw	<b>8,2 mm</b>
EAN	<b>4251269334</b>	holes	
	<b>696</b>	Clamping	<b>1 x 44 - 55</b>
Package	<b>5</b>	range	<b>mm</b>
quantity			
Length	<b>100 mm</b>		
Width	<b>40 mm</b>		
Height	<b>72,5 mm</b>		
No. of screw	<b>1</b>		
holes			

CMC10



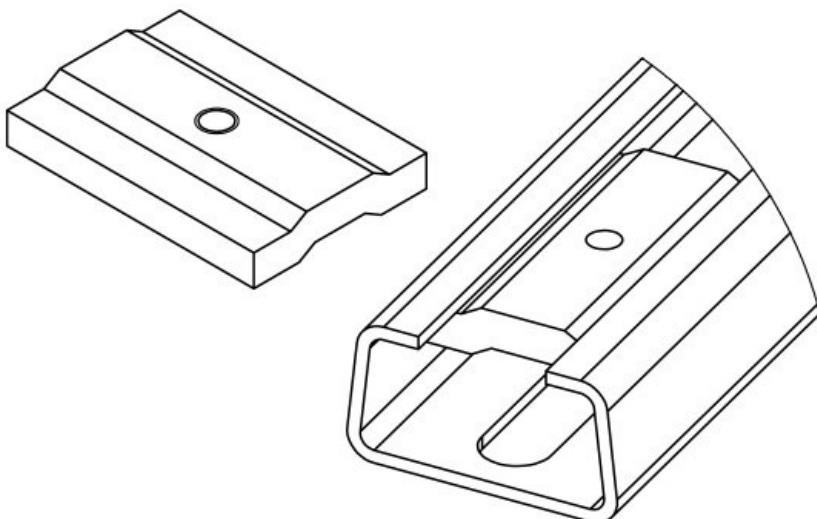
Part No. **32598**  
EAN **4251269335**  
**914**  
Package quantity **10**  
Suitable for: **MSMC 10-22**  
**/ MSMC 20-32**  
Length **12 mm**  
Width **13,4 mm**  
Height **35 mm**

CMC30



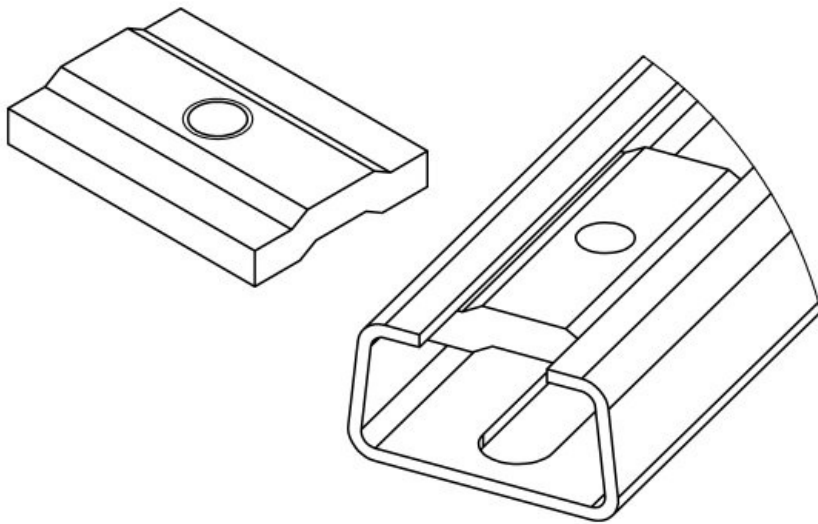
Part No. **32599**  
EAN **4251269334**  
**702**  
Package quantity **10**  
Suitable for: **MSMC 30-46**  
**/ MSMC 44-55**  
Length **15 mm**  
Width **20 mm**  
Height **50 mm**

SCMC10



Part No. **32596** No. of screw **1**  
EAN **4251269335** holes  
**907** Thread **M5 x 0,5**  
Package quantity **5**  
Suitable for: **MSMC 10-22**  
**/ MSMC 20-32**  
Length **40 mm**  
Width **28 mm**  
Height **5 mm**

SCMC30



Part No.	<b>32597</b>	No. of screw	<b>1</b>
EAN	<b>4251269335</b>	holes	
	<b>921</b>	Thread	<b>M8 x 0,5</b>
Package quantity	<b>5</b>		
Suitable for:	<b>MSMC 30-46</b>		
	<b>/ MSMC 44-</b>		
	<b>55</b>		
Length	<b>40 mm</b>		
Width	<b>28 mm</b>		
Height	<b>5 mm</b>		

---

**icotek**<sup>®</sup>  
smart cable management